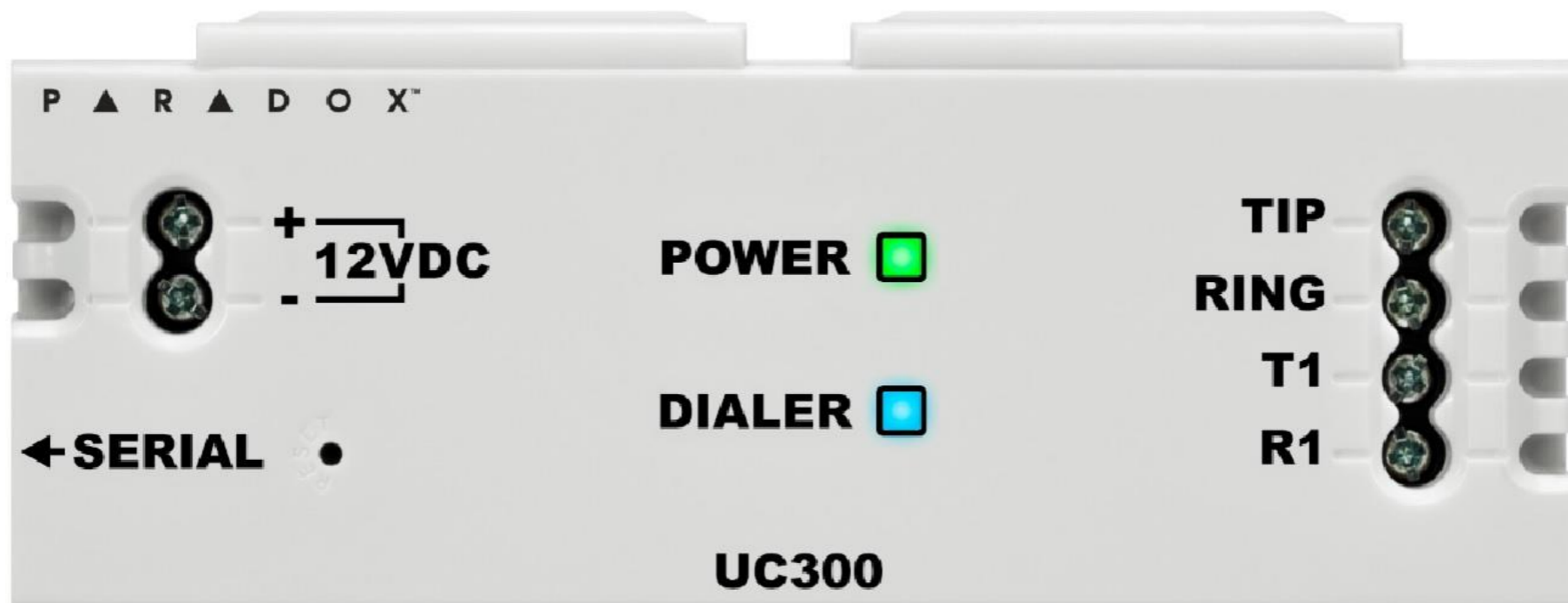


Introducing UC300

Sept 2014



UC300



The request and solution

The CMS request:

CMS equipped with IPRS7/IPR512 wish to enlarge their customer portfolio.

Ask to provide a product capable to create a compatibility between a non PARADOX panel or an older Paradox panel that does not support IP and GSM/GPRS communication to PARADOX IP receivers (IPRS7/IPR512).

Solution:

UC300 doing the conversion and connected to IP150 and/or PCS250/G for IP reporting.

UC300 Introduction

- Recognized as a PARADOX panel by IP150 and PCS250/G.
- Paradox Universal Convertor (UC300), is a convertor module compatible with all security control panel which can report events in CID via their PSTN.
- Compatibility between panel and CMS done by converting the Contact ID events coming from the panel PSTN and forwarding them to IP150 and PCS250/G in IPDOX format.
- Beside the IP reporting, the above allow the end-user to be also notify of the events. He may receive them by mail with IP150 and by SMS with PCS250/G.
- UC300 will only process events reported to specific telephone numbers, as defined in BabyWare.

UC300 Set-up & Modes

Set-up

UC300 + IP150

Reporting via Internet(in parallel or backup).

UC300 + PCS250/G

Reporting via GPRS(in parallel or backup).

UC300 + IP150 & PCS250/G

Reporting via the 2 media (in parallel or backup).

Modes (each IP receiver is independent)

Parallel:

All media will report the event.

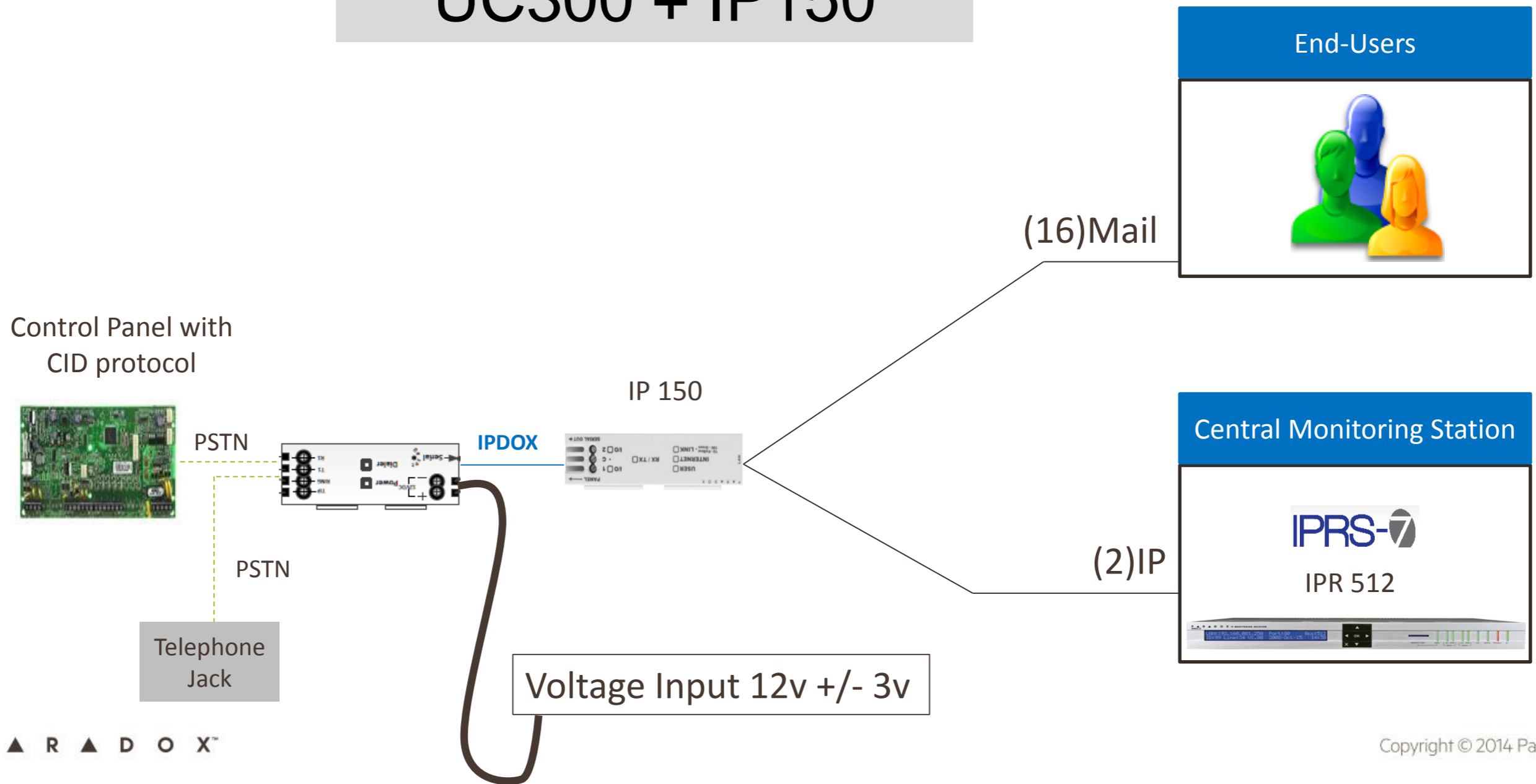
Serial (Backup):

Setting primary, Backup#1 & #2.

Only once primary fail, it moves to Backup#1 and then if needed Backup#2.

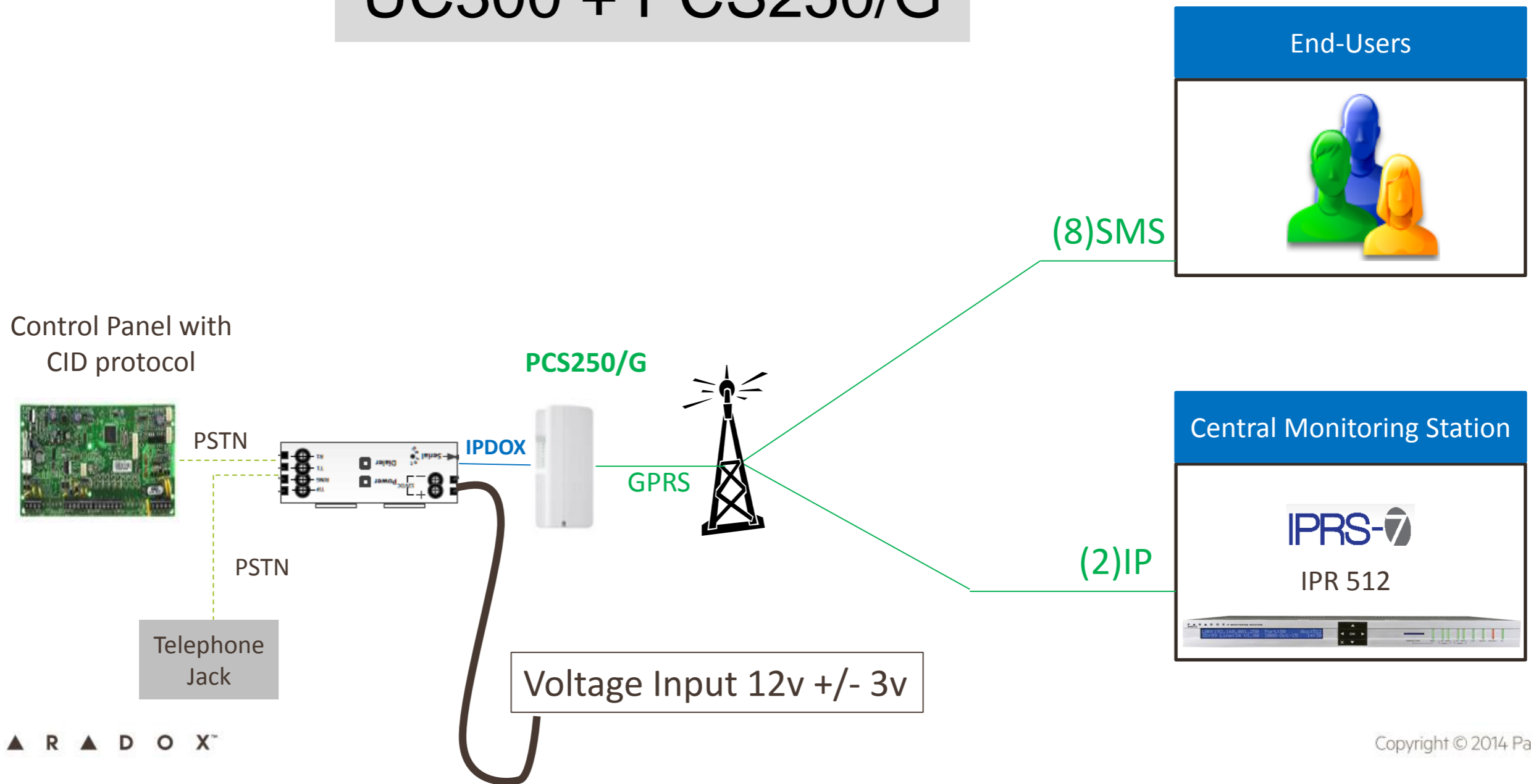
UC300 Set-up

UC300 + IP150



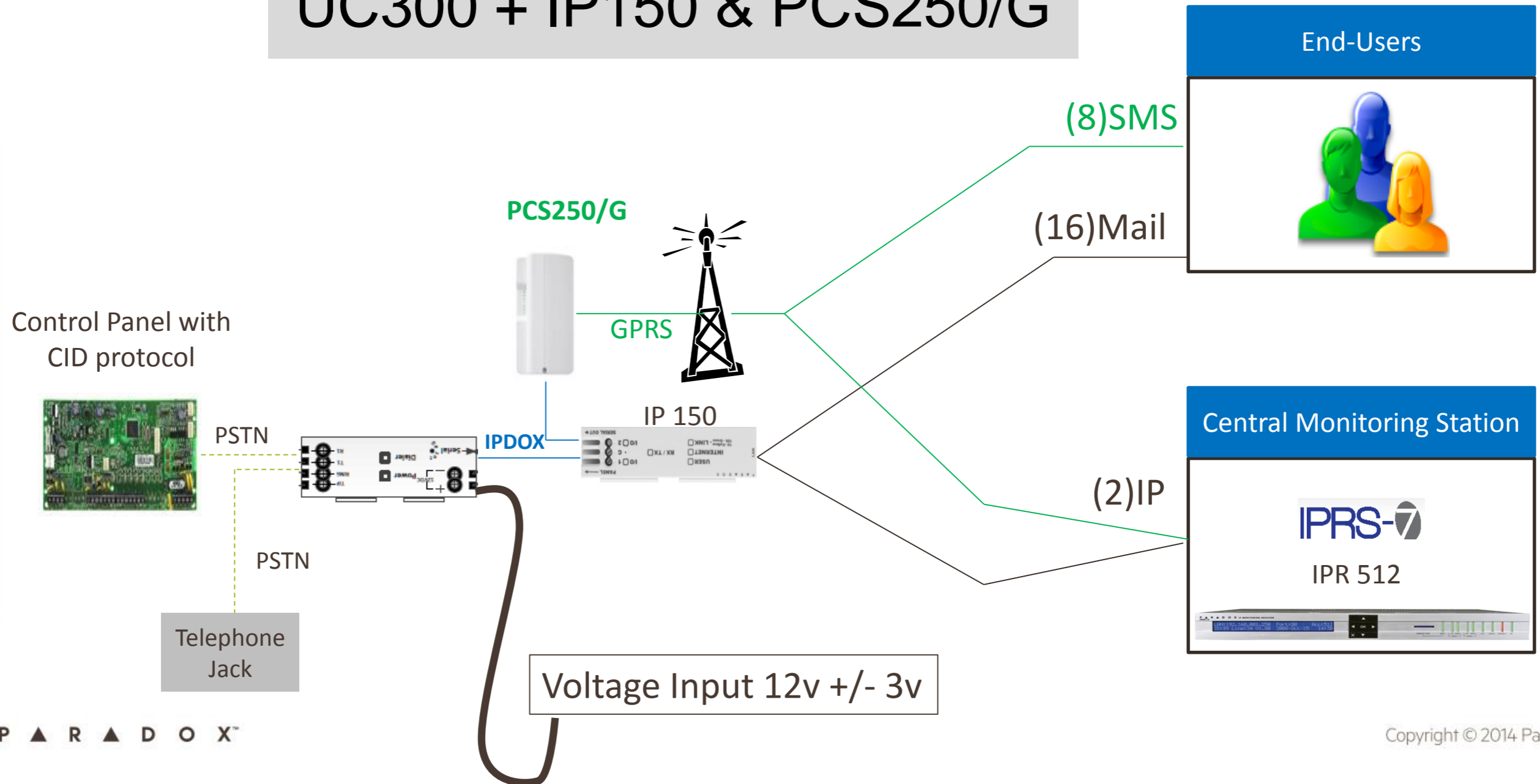
UC300 Set-up

UC300 + PCS250/G



UC300 Set-up

UC300 + IP150 & PCS250/G



Software Version



- **BBW** v2.8 or higher

- **Infield** v3.8 or higher



- **IP150** v1.30 or higher



- **PCS250/G** v2.10 or higher

Requested Feedbacks from BETA

- Install and test all combination.
 - UC300+IP150
 - UC300+PCS250G
 - UC300+IP150&PCS250G
- Test each combination in all modes
 - Parallel
 - Serial (backup): check with different number of attempts.
- View events well received for CMS and End-user
 - GPRS
 - IP
 - Mail
 - SMS
- Use IP150 output.

- Test RESET function.
- Test restart. Module to restart all keep all setting.
- Check remote access/configuration with BBW via IP150 & via GPRS.
- Configure UC300 directly with 307USB.
- Supervised correct LED indication during BETA.

Release Date

- BETA Oct. 6 – Oct. 31

Certifications

CE compliance – (In Process)

EN 50130-4; EN 61000-6-3; EN 60950-1; ETSI ES 203 021 EN50136-1:2012; EN 50136-2

Thank You